

Co2 Ball valves

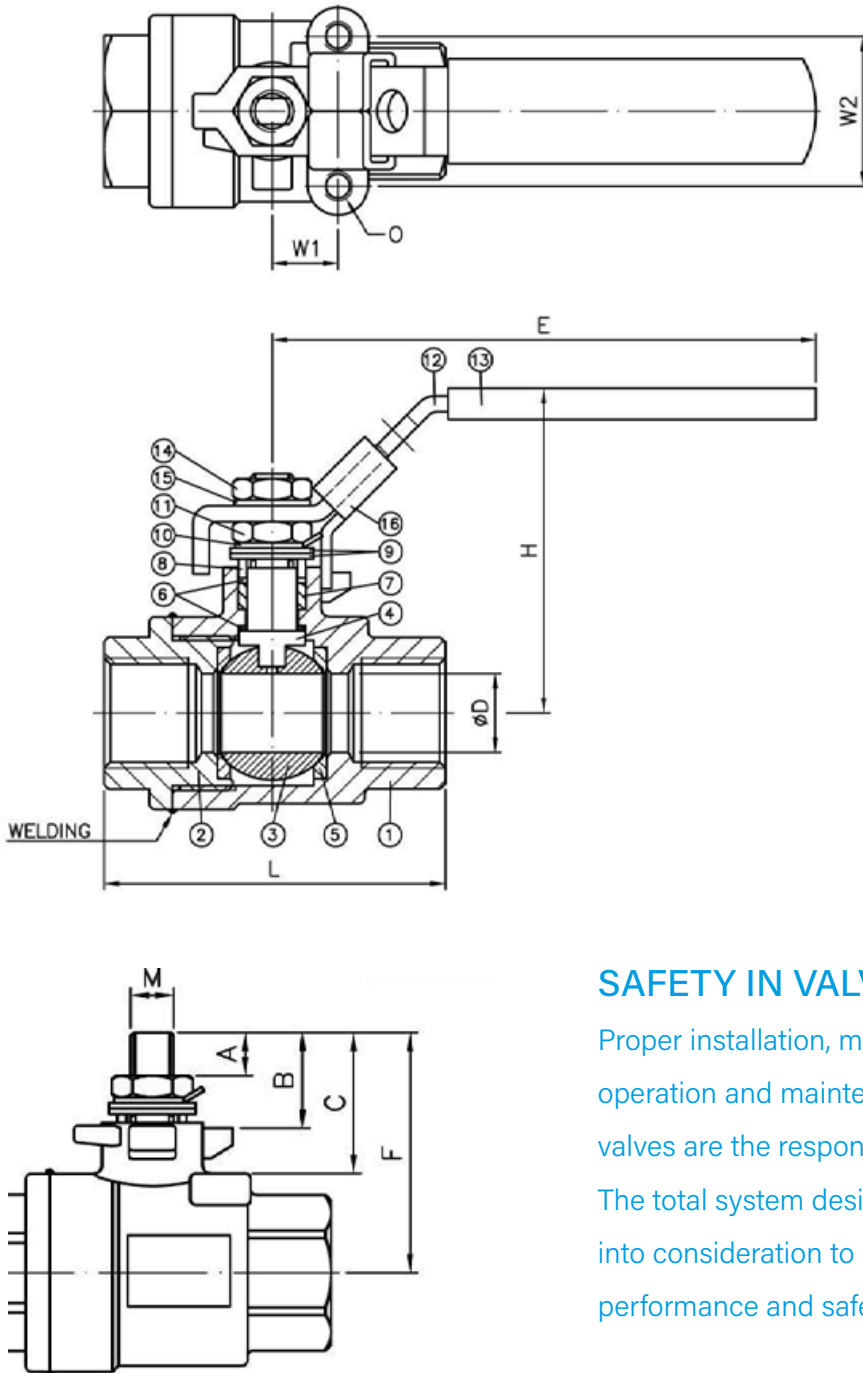
Two-piece Fire-safe Full Port 2000 PSI Ball Valve



FLOWTEKNIK
SCANDINAVIA APS



Two-piece Fire-safe Full Port 2000 PSI Ball Valve

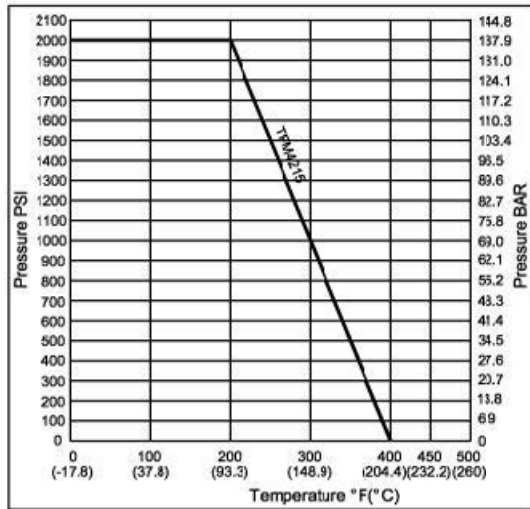


SAFETY IN VALVE SELECTION

Proper installation, materials compatibility, operation and maintenance of these valves are the responsibility of the user. The total system design must be taken into consideration to ensure optimal performance and safety!

PLEASE CONTACT PG FLOWTEKNIK SCANDINAVIA AND LET US HELP YOU FIND THE RIGHT VALVE FOR YOUR APPLICATION!

Two-piece Fire-safe Full Port 2000 PSI Ball Valve



SIZE	ØD±0.2	L±1.0	E±2.0	H±1.0	A±1.0	B±1.0	C±1.0	F±1.0	N±0.05	W1±0.5	W2±0.5	M	O
1/4"	11.2	55	110	60	7.0	16.0	23.5	38.5	5.0	12.7	28.5	5/16"-24UNF	3/16"-24UNC
3/8"	12.5	55	110	60	7.0	16.0	23.5	38.5	5.0	12.7	28.5	5/16"-24UNF	3/16"-24UNC
1/2"	15.0	65	110	65	8.0	18.1	26.0	45.0	5.0	12.7	28.5	5/16"-24UNF	3/16"-24UNC
3/4"	19.0	74	136	70	8.0	18.3	26.7	48.0	6.4	22.4	35.0	3/8"-24UNF	3/16"-24UNC
1"	25.0	88	165	80	10.2	23.0	32.5	58.5	8.0	25.4	38.1	7/16"-20UNF	3/16"-24UNC
1-1/4"	32.0	101	165	86	10.2	23.5	32.0	64.3	8.0	25.4	38.1	7/16"-20UNF	3/16"-24UNC
1-1/2"	38.0	109	200	100	14.1	29.0	40.1	77.0	9.5	25.4	49.2	9/16"-18UNF	1/4"-20UNC
2"	49.0	126	200	106	14.3	30.0	36.7	85.0	9.5	25.4	49.2	9/16"-18UNF	1/4"-20UNC

REVISION	00	Two-Piece Fire-Safe Full Port 2000 PSI Ball Valve			
SCALE	Free				
UNIT	mm	SIZE	1/4"~2"	MODEL	2-2F
INSPECTED BY		MAT'L	ASTM A351 Gr.CF8M	TYPE	D
DRAWN BY		DATE	Sep. 13, 2010	FILE	AD22F-663xx-PGF



Metalgangen 13
DK-2690 Karlslunde
Denmark
Phone (+45) 73 84 12 30
info@pgflowteknik.dk
www.pgflowteknik.dk