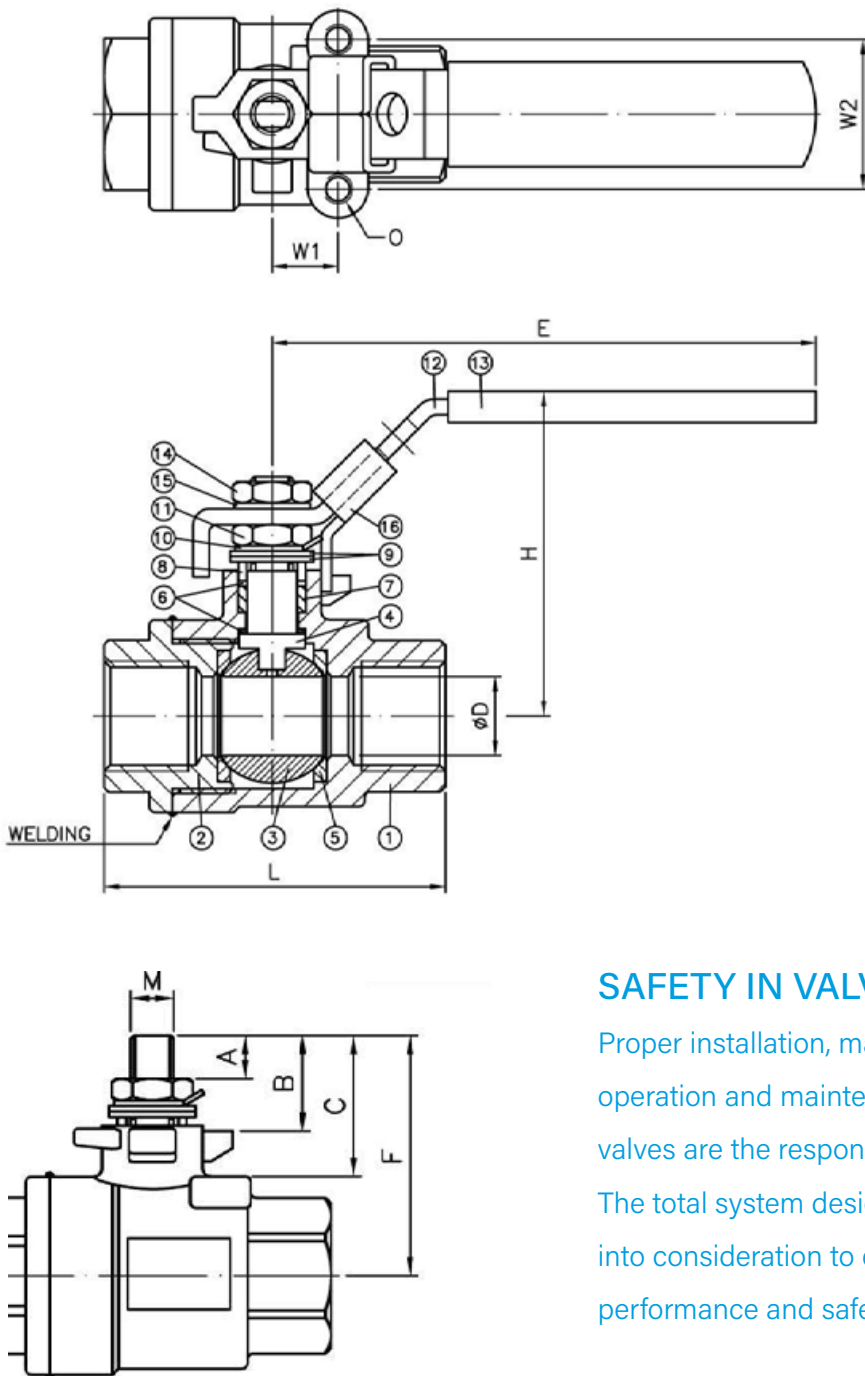


# CO<sub>2</sub> Ball Valves

Two-piece Fire-safe Full  
Port 2000 PSI Ball Valve



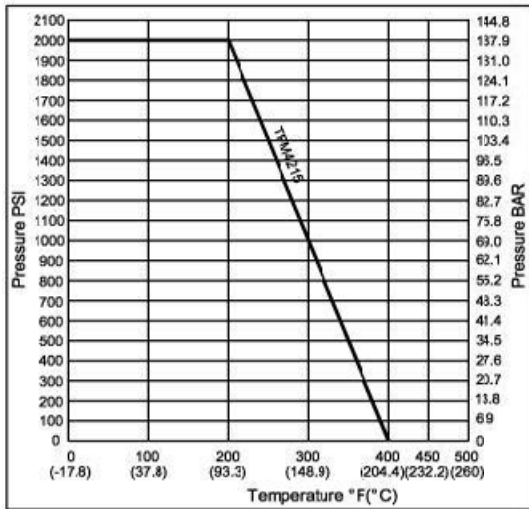


## SAFETY IN VALVE SELECTION

Proper installation, materials compatibility, operation and maintenance of these valves are the responsibility of the user. The total system design must be taken into consideration to ensure optimal performance and safety!

FOR DETAILED SPECIFICATIONS AND MORE INFORMATION, PLEASE CONTACT US, AND WE WILL HELP YOU FIND THE MOST OPTIMAL PRODUCT FOR YOUR APPLICATION.

# CO<sub>2</sub> Ball Valves Two-piece Fire-safe Full Port 2000 PSI Ball Valve



ALL-ROUND BALL VALVE DEVELOPED FOR CO<sub>2</sub> COOLING SYSTEM.

## TECHNICAL SPECIFICATIONS

- Pressure: Up to 2000 PSI  
Up to 137 bar at 90 degrees Celsius
- Temperatures: -20 to +204 °C
- Orifice range: 11 - 49 mm
- Materials: 316 Stainless Steel / TFM4215

SIZE	ØD±0.2	L±1.0	E±2.0	H±1.0	A±1.0	B±1.0	C±1.0	F±1.0	N±0.05	W1±0.5	W2±0.5	M	O
1/4"	11.2	55	110	60	7.0	16.0	23.5	38.5	5.0	12.7	28.5	5/16"-24UNF	3/16"-24UNC
3/8"	12.5	55	110	60	7.0	16.0	23.5	38.5	5.0	12.7	28.5	5/16"-24UNF	3/16"-24UNC
1/2"	15.0	65	110	65	8.0	18.1	26.0	45.0	5.0	12.7	28.5	5/16"-24UNF	3/16"-24UNC
3/4"	19.0	74	136	70	8.0	18.3	26.7	48.0	6.4	22.4	35.0	3/8"-24UNF	3/16"-24UNC
1"	25.0	88	165	80	10.2	23.0	32.5	58.5	8.0	25.4	38.1	7/16"-20UNF	3/16"-24UNC
1-1/4"	32.0	101	165	86	10.2	23.5	32.0	64.3	8.0	25.4	38.1	7/16"-20UNF	3/16"-24UNC
1-1/2"	38.0	109	200	100	14.1	29.0	40.1	77.0	9.5	25.4	49.2	9/16"-18UNF	1/4"-20UNC
2"	49.0	126	200	106	14.3	30.0	36.7	85.0	9.5	25.4	49.2	9/16"-18UNF	1/4"-20UNC

REVISION	00	Two-Piece Fire-Safe Full Port 2000 PSI Ball Valve			
SCALE	Free				
UNIT	mm	SIZE	1/4"~2"	MODEL	2-2F
INSPECTED BY		MAT'L	ASTM A351 Gr.CF8M	TYPE	D
DRAWN BY		DATE	Sep. 13, 2010	FILE	AD22F-663xx-PGF



Metalgangen 13  
DK-2690 Karlslunde  
Denmark  
Phone (+45) 73 84 12 30  
[info@pgflowteknik.dk](mailto:info@pgflowteknik.dk)  
[www.pgflowteknik.dk](http://www.pgflowteknik.dk)