

P-Series Plug Valves

Hy-Lok



FLOWTEKNIK
SCANDINAVIA APS



P-series Plug Valves

Datasheet

Rugged Body

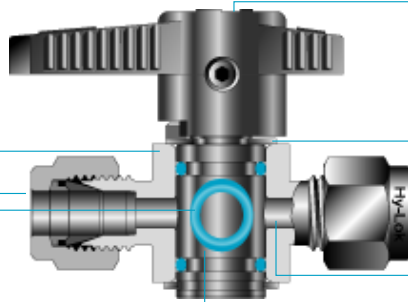
- is machined from bar stock

Variety of End Connections

- include Hy-Lok tube fittings, Male & Female ISO threads, Male & Female NPT.

PTFE Coated Viton Seal

- is used for maximum service life.
- is replaceable.



Handle with Arrow

- indicates flow direction.
- allows quick operation with 1/4 turn.
- requires minimum torque.
- is available in Black (standard) and colored nylon (option).

Stainless Steel Retaining Ring

- installed in both top & bottom.
- prevents plug blow out.

Orifice for Cv 1.4 to 7.0

- is maximized for minimum pressure drop.

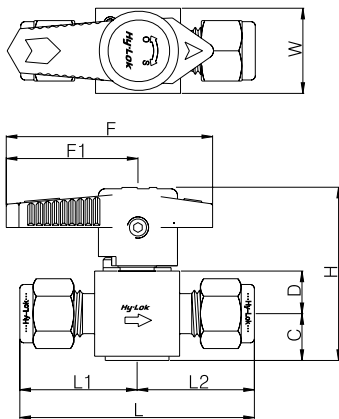
PTFE Coated Plug

- is replaceable.
- has throttling function.

Features

- **Pressure rating** up to 3000psig (206 bar) @70°F (21°C)
- **Temperature rating** from -10°F to 400°F (-23°C to 204°C) with PTFE coated Viton Seal
- **Small and compact design**
- **Easy maintenance and cleaning**
- **Sizes** available up to 1/2" tube and pipe
- **Body materials** available in 316 stainless steel and brass
- **100% factory tested**

Table of Dimensions



Series	Basic Part No.		Cv	End Connection	Dimensions								
	Part No.	Plug Orifice in (mm)			Inlet / Outlet	L	L ₁	L ₂	C	D	H	F	F ₁
P1V	H - 2T	0,172 (4,4)	0,2	1/8 Hy-Lok	50,6	25,3	25,3	12,5	10	41,5	47	30	20
	M - 2N			1/8 Male NPT	39,4	19,7	19,7						
	F - 2N			1/8 Female NPT	45,2	22,6	22,6						
	H - 4T		1,4	1/4 Hy-Lok	55,2	27,6	27,6						
	MH- 4N4T			1/4 Male NPT / 1/4 Hy-Lok	51,8	24,2	27,6						
	M - 4N			1/4 Male NPT	48,4	24,2	24,2						
	F - 4N		0,9	1/4 Female NPT	53,0	26,5	26,5						
	F - 4R			1/4 Female ISO Tapered	56,0	28,0	28,0						
	MF- 4N			1/4 Male / 1/4 Female NPT	50,7	24,2	26,5						
	H - 6M		1,4	6mm Hy-Lok	55,4	27,7	27,7						
P2V	F - 4N	0,281 (7,2)	3,6	1/4 Female NPT	60,4	30,2	30,2	17,5	15	57,5	64	39	30
	H - 6T			3/8 Hy-Lok	68,4	34,2	34,2						
	H - 8T			1/2 Hy-Lok	74,0	37,0	37,0						
	M - 8N		2,3	1/2 Male NPT	68,2	34,1	34,1						
	F - 8N			1/2 Female NPT	73,2	36,6	36,6						
	F - 8R			1/2 Female ISO Tapered	79,8	39,9	39,9						
	H - 10M		5,7	10mm Hy-Lok	68,6	34,3	34,3						
	H - 12M		4,3	12mm Hy-Lok	74,2	37,1	37,1						

All dimensions in millimeters. Dimensions shown with Hy-Lok nuts in finger-tight position, where applicable.

Material of Construction

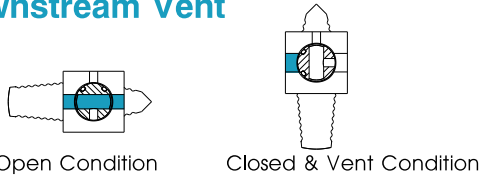
Description	Material/ASTM Specification	
	316 Stainless Steel	Brass
Handle	Black Nylon Standard	
Pin	Stainless Steel	
Retaining Ring		
Plug	TP 316 / A479	Brass
	with PTFE Coated	
O-ring	FKM Standard	
Body	TP 316 / A479	Brass

Pressure / Temperature Rating

Series	Materials	Pressure Rating @70°F(21°C)	Temperature Rating
P1V	SS316 & Brass	3000 psig (206 bar)	-10°F to 400°F (-23°C to 204°C) with PTFE coated Viton Seal.
P2V	SS316	3000 psig (206 bar)	
	Brass	2000 psig (137 bar)	

Note. : Reverse flow direction : 150 psig (10 bar)
Reverse flow throttling may damage O-Ring.

Downstream Vent



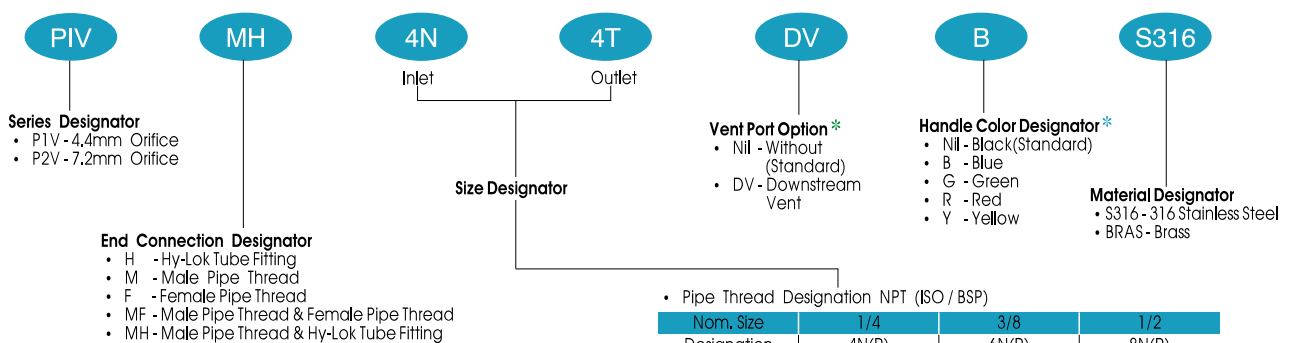
Testing

Every Valve is factory tested for shut off at 600 psig (41 bar)

Flow Rate

Ordering Number		Cv	Pressure drop Atmosphere(Δp)psl						Ordering Number		Cv	Pressure drop Atmosphere(Δp)psl					
Series	Part. No.		Air std ft ³ /min. @70°F(21°C)			Water U.S. gal/min. @70°F(21°C)			Series	Part. No.		Air std ft ³ /min. @70°F(21°C)			Water U.S. gal/min. @70°F(21°C)		
			10	50	100	10	50	100			10	50	100	10	50	100	
P1V	H - 2T	0,2	2,26	6,00	10,64	0,63	1,41	2,00	P2V	F - 4N	3,6	40,68	108,03	191,51	11,38	25,46	36,00
	M - 2N	1,0	11,30	30,01	53,20	3,16	7,07	10,00		H - 6T	7,0	79,09	210,6	372,39	22,14	49,50	70,00
	F - 2N		11,30	30,01	53,20	3,16	7,07	10,00		H - 8T	4,0	45,20	120,03	212,79	12,65	28,28	40,00
	H - 4T	1,4	15,82	42,01	74,48	4,43	9,90	14,00		M - 8N	2,3	25,99	69,02	122,36	7,27	16,26	23,00
	MH- 4N4T		15,82	42,01	74,48	4,43	9,90	14,00		F - 8N		25,99	69,02	122,36	7,27	16,26	23,00
	M - 4N	0,9	10,17	27,01	47,88	2,85	6,36	9,00		F - 8R	25,99	69,02	122,36	7,27	16,26	23,00	
	F - 4N		10,17	27,01	47,88	2,85	6,36	9,00		H -10M	5,7	64,40	171,06	303,23	18,02	40,31	57,00
	F - 4R		10,17	27,01	47,88	2,85	6,36	9,00		H -12M	4,3	48,59	129,03	228,75	13,60	30,41	43,00
	MF - 4N		10,17	27,01	47,88	2,85	6,36	9,00									
	H - 6M		1,4	25,99	69,02	122,36	7,27	16,26		23,00							

Ordering Information



NOTE * : No designator is required for standard. e.g. P1V - 4T - S316



Metalgangen 13
DK-2690 Karlslunde
Denmark
Phone (+45) 73 84 12 30
info@pgflowteknik.dk
www.pgflowteknik.dk

Hy-Lok

CONTACT YOUR AUTHORIZED HY-LOK REPRESENTATIVE
PG FLOWTEKNIK SCANDINAVIA APS