

Hy-Lok

by

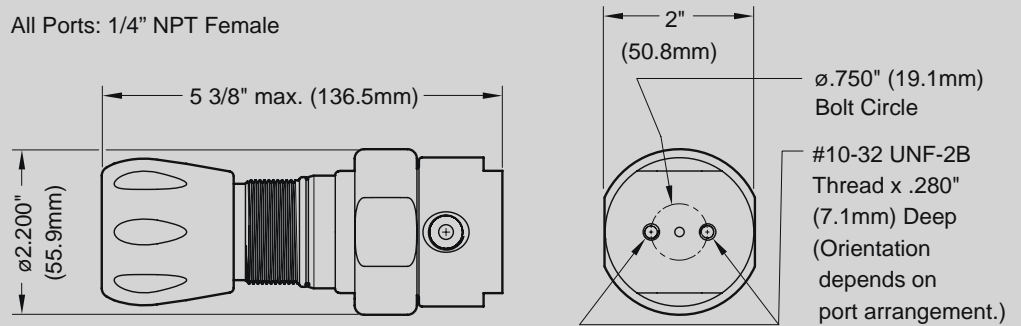
AURATM
GAS CONTROLS

EX1



Single Stage Regulator

All Ports: 1/4" NPT Female

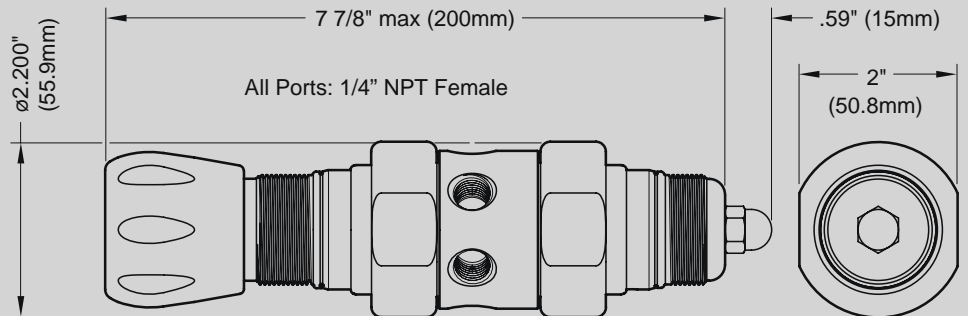


The AURA EX1 provides primary pressure control of gases and liquids where minor fluctuations in outlet pressure due to variable inlet pressure are accepted. Available with multiple porting options, peripherals and end connections, the EX1 is a reliable general purpose regulator designed to fulfill a wide variety of applications such as instrument panels, skid-mounted systems and line pressure control.

EX2

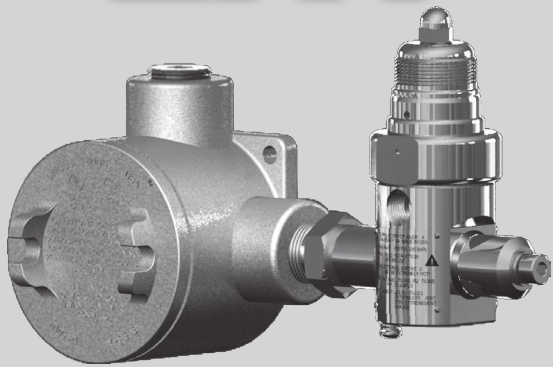


Dual Stage Regulator

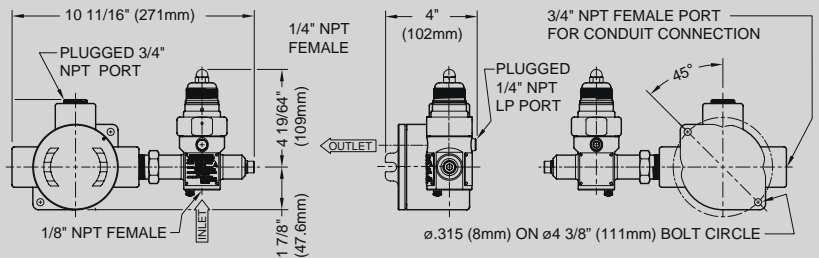


The AURA EX2 is designed to provide steady and precise outlet pressure control of gases and liquids regardless of changes in inlet pressure. The EX2's dual surface diaphragm provides sensitive pressure control and the encapsulated seat design eliminates impurities. The EX2 is ideal for systems requiring constant outlet pressure such as instrument calibration, compressed gas cylinders and distribution systems.

EXV



Vaporizing Regulators



The AURA EXV provides steady and reliable heat to vaporize and maintain gas phase of samples for analysis. The proprietary labyrinth-style flow path maximizes the heated surface area to prevent samples from condensing. Available in both electronically and steam heated designs with numerous temperature, wattage, and voltage options, the EXV is a versatile solution for applications such as hydrocarbon analysis, natural gas sampling systems and fluid analysis.

Dursan[®] LS

The Dursan[®] LS Advantage

Anti-Corrosion

- Resists corrosion significantly better than stainless steel and exotic metals
- Increases component longevity
- Lowers system cost

Anti-Contamination

- Eliminates absorption of reactive compounds
- Eliminates absorption of moisture
- Improves low ppm sampling accuracy

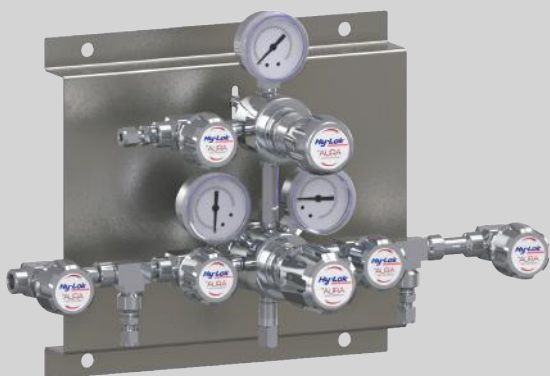
Performance Specifications

- Corrosive resistance vs. stainless steel: 200x
- Corrosive resistance vs. exotic metals: 5x
- Wear resistance vs. stainless steel: 2x
- pH range stability: 0-14
- Temperature range: -40° to 60° C

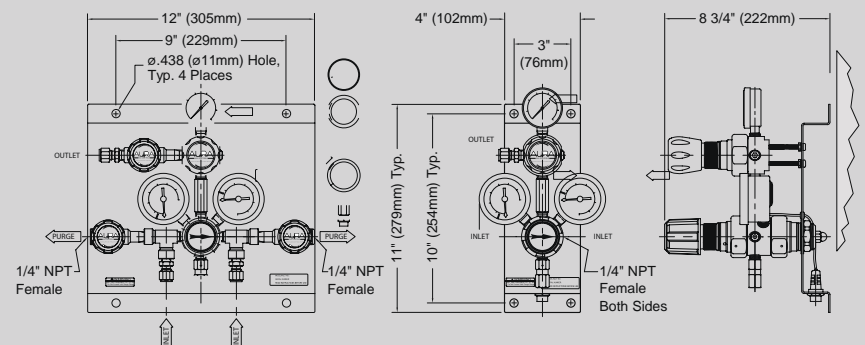


AURA's Dursan LS inert and anti-corrosive technology provides superior corrosion resistance to stainless steel and exotic alloys while providing a completely inert surface in both caustic and corrosive applications. Produced by bonding a blend of carbon and silicon to the crystal structure of stainless steel combined with proprietary machining to threads and sealing surfaces, Dursan LS is an ideal fit for applications like analytical instrumentation, natural gas measurement, and chemical processing.

EXD



Differential Switchover

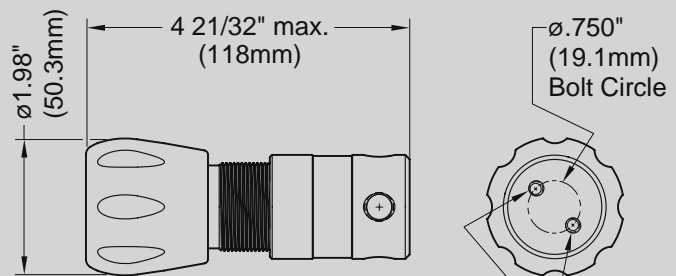


The AURA EXD is an automatic switchover system designed to provide a continuous supply of high purity gas for inlet pressures up to 3000 psig. Fully configurable with multiple inlet fittings, purges, panels, and delivery ranges up to 350 psig, the EXD allows for superior flexibility and functionality in applications requiring uninterrupted flow of gas, such as refinery stack analysis, sampling systems and laboratory applications.

EXC



Compact Regulator

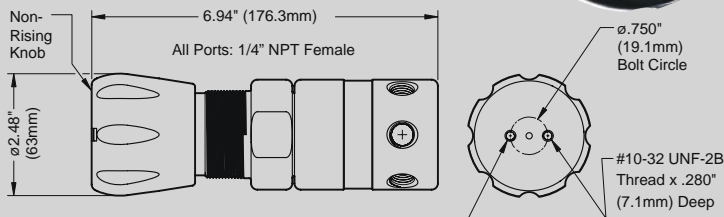


All Ports: 1/8" NPT Female
#10-32 UNF-2B Thread x .280" (7.1mm) Deep
(Orientation depends on port arrangement.)

The AURA EXC enables accurate and reliable pressure control of gases and liquids in a single stage where space is at a premium. The ultra-compact design minimizes weight and footprint to allow the EXC to be integrated into numerous systems with ease.

EXH

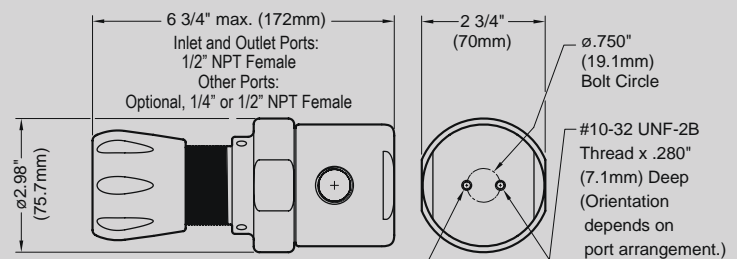
High Pressure Regulator



The AURA EXH supplies principle pressure control of gases and liquids in closed loop systems requiring delivery pressure as high as 4500 psig. The standard self-venting feature allows gas downstream to be safely relieved as the desired outlet pressure is decreased. The EXH is a reliable and flexible fit in applications such as test benches, process line surge protection and aerospace systems.

EXF

High Flow Regulator

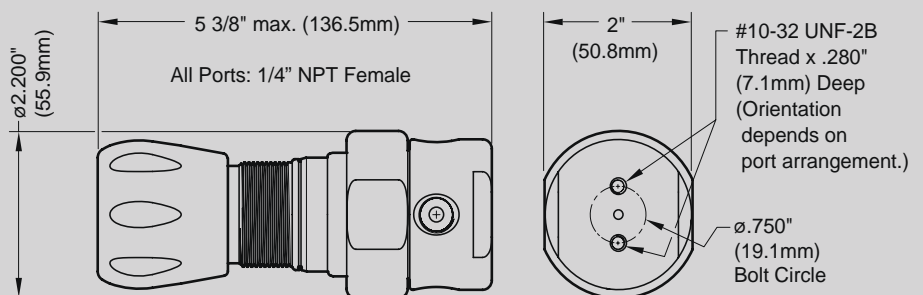


The AURA EXF provides primary pressure control of high flow gases and liquids. AURA's dual surface diaphragm provides sensitive pressure control while the EXF's large orifice size and 1/2" process ports allow for maximum flow. The EXF is an ideal solution for applications such as pharmaceutical sample blanketing, point of use gas systems and chemical pipelines.

EXB



Back Pressure Regulator

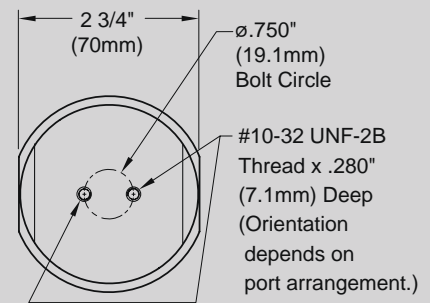
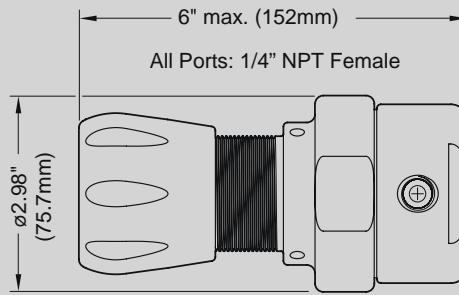


The AURA EXB provides adjustable relief of excess pressure in closed loop systems caused by spikes in inlet pressure. Unlike standard relief devices that only provide open/close functions, the EXB allows the end user to throttle excess pressure. The EXB is a versatile solution for applications such as analytical instrumentation and processing skids.

EXS



Sub-Atmospheric Regulator

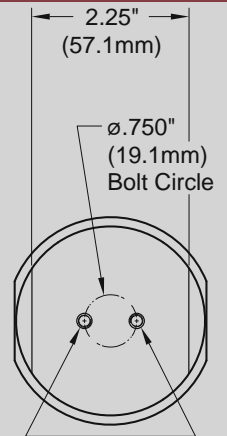
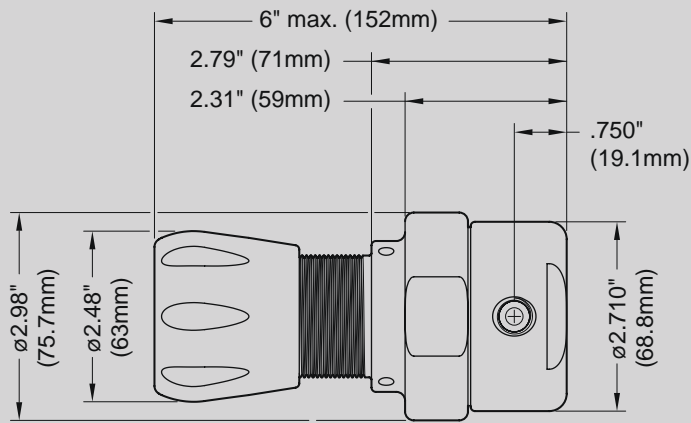


The AURA EXS is designed to provide accurate pressure control under sub-atmospheric conditions as well as for low flow applications. The EXS's hybrid spring design allows for precision vacuum control while the oversized dual surface diaphragm allows for increased sensitivity in low flow applications. The EXS is an ideal choice for applications such as hydrocarbon leak detection, analytical instrumentation and vacuum coating.

EXZ



Sub-Atmospheric Back Pressure Regulator



The AURA EXZ is designed to provide adjustable relief of excess positive pressure in vacuum controlled systems caused by pressure buildup or upstream sample injection. The hybrid spring design works in combination with an oversized dual-surface diaphragm to allow the user to accurately throttle excess positive pressure from the system to re-establish vacuum conditions, making it an ideal fit for analytical instrumentation applications.

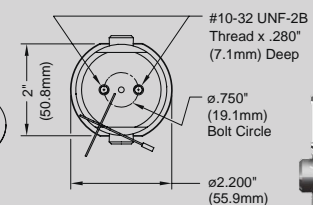
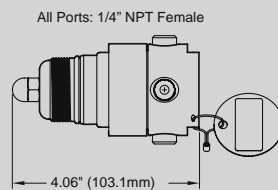
EXPV

The AURA EXPV series of pressure and flow control accessories are designed to provide precision and flexibility in any application worldwide. Constructed of the highest quality materials and fully-configurable, AURA's broad range of accessories allow the user to design an integrated, safe, and reliable gas delivery system.



EXT

High Temperature Regulator



The AURA EXT enables pressure control of gases and liquids at elevated temperatures and ambient process environments as high as 550°F. The EXT incorporates a corrosive and heat resistant design along with all metal to metal seals to ensure functionality and reliability in applications such as petrochemical process, furnace, and boiler systems.



Manufactured and Assembled in U.S.A

+1.757.422.8362
www.AURACONTROLS.com
Registered ISO 9001

